

ROTARY TILLERS

UL - SERIES

UL0.9 (UL36) – UL1.2 (UL48) – UL1.5(UL60)



Assembly Instruction Manual

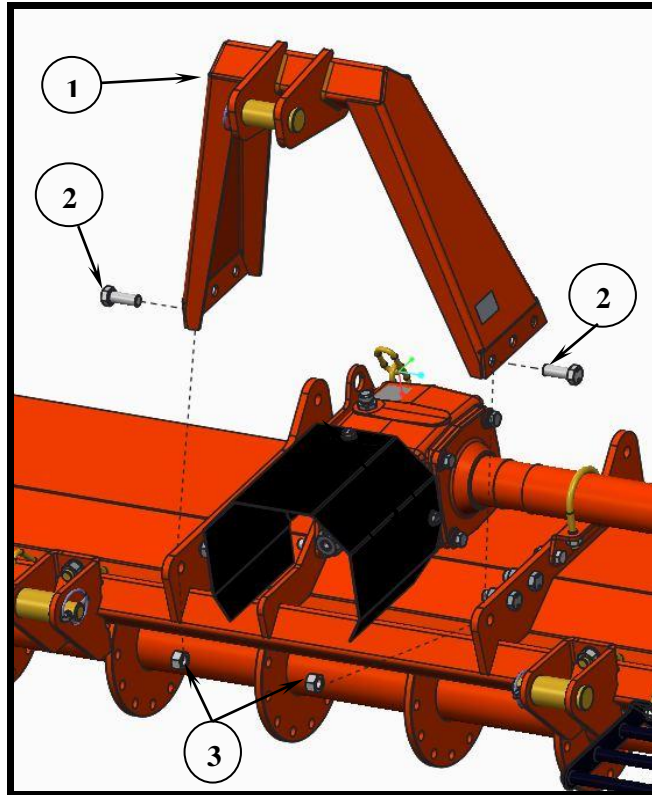


Tirth Agro Technology Pvt. Ltd.
ISO 9001:2008 & CE Certified Company



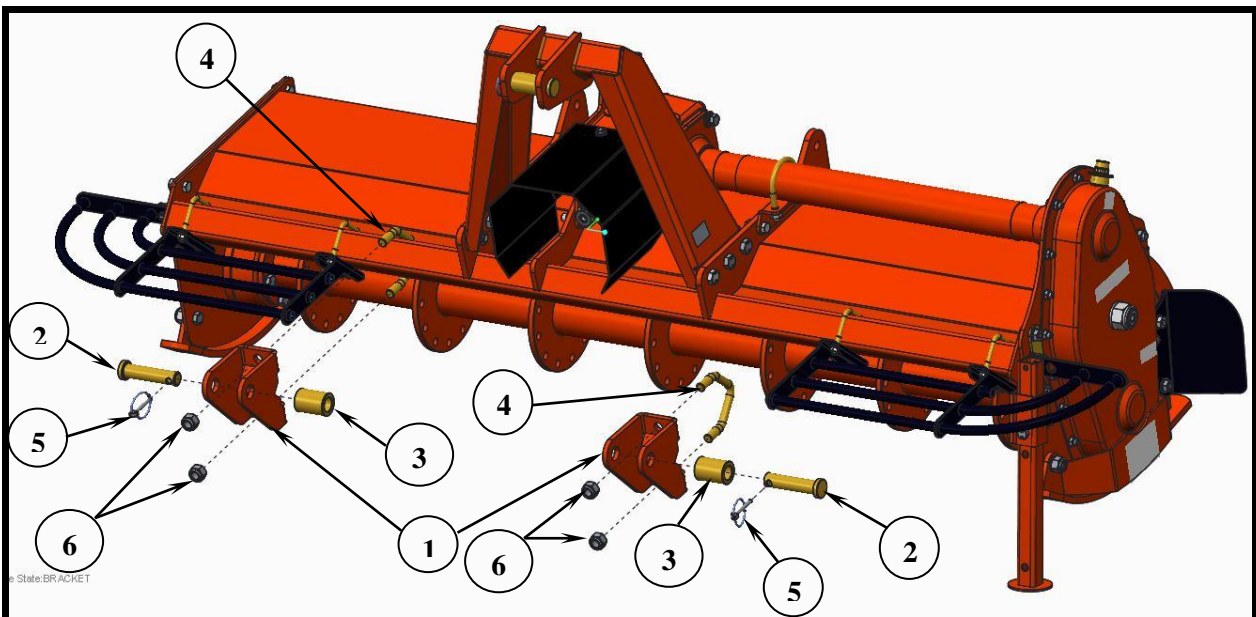
Manual P/N:

➤ **Top Mast Assembly :**



Sr. No	P/Number	Description
1	14165	TOP MAST COMP (U/H SERIES)
2	10192	HEX BOLT M12 X 1.75 X 30
3	1209	NYLOCK NUT M12 X 1.75

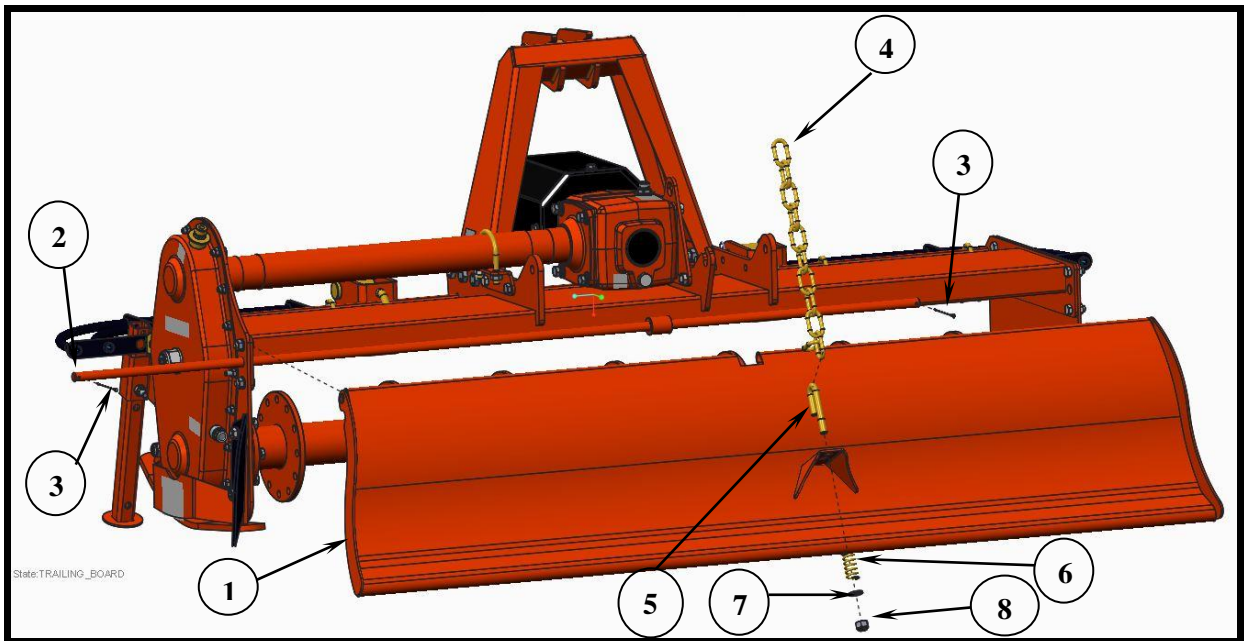
➤ **Hitching Bracket Assembly :**



U-Series UL Rotary Tillers

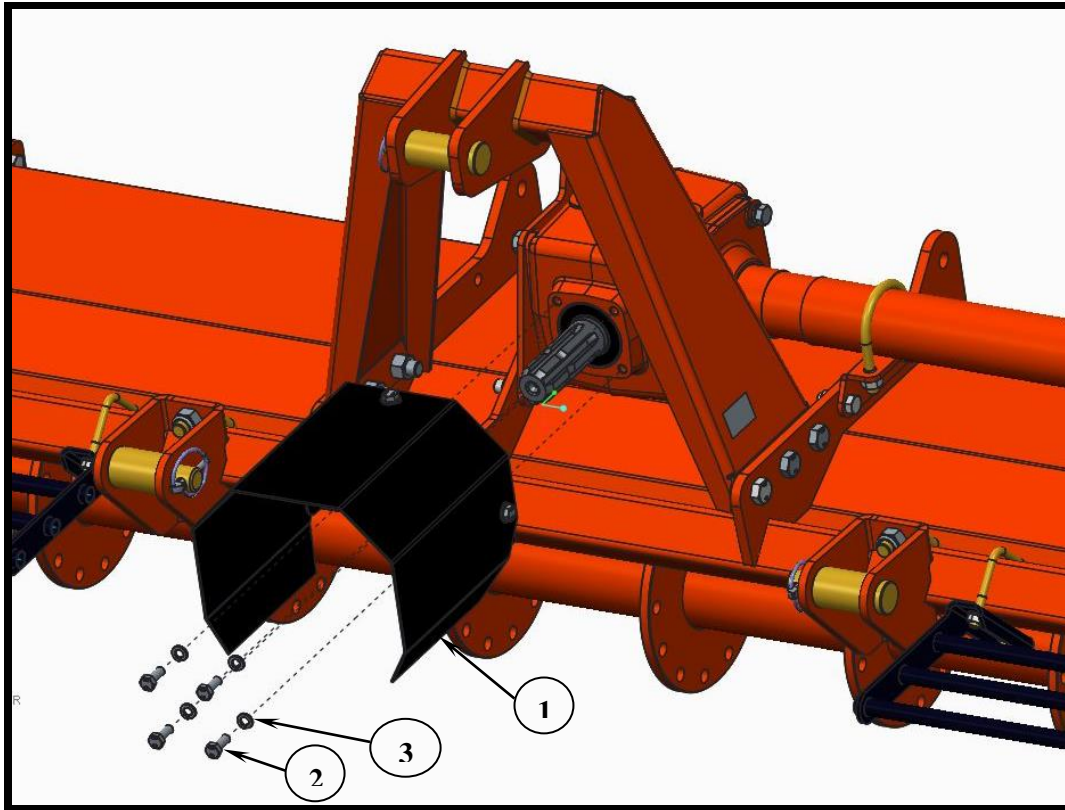
Sr. No	P/Number	Description
1	14011	M/C HITCHING BRACKET COMP (U-SERIES)
2	14015	HITCH PIN BOTTOM CAT-I (DIA-22 X 99)
3	14016	BUSH (DIA. 36.5 X 22.5 X 51 L)
4	14014	V-BOLT M14 x 1.5 x 90 x 83.2 x 26TL
5	8204	LINCH PIN SMALL (CHO)
6	1302	NYLOCK NUT M14 X 1.50

➤ Trailing Board Assembly :



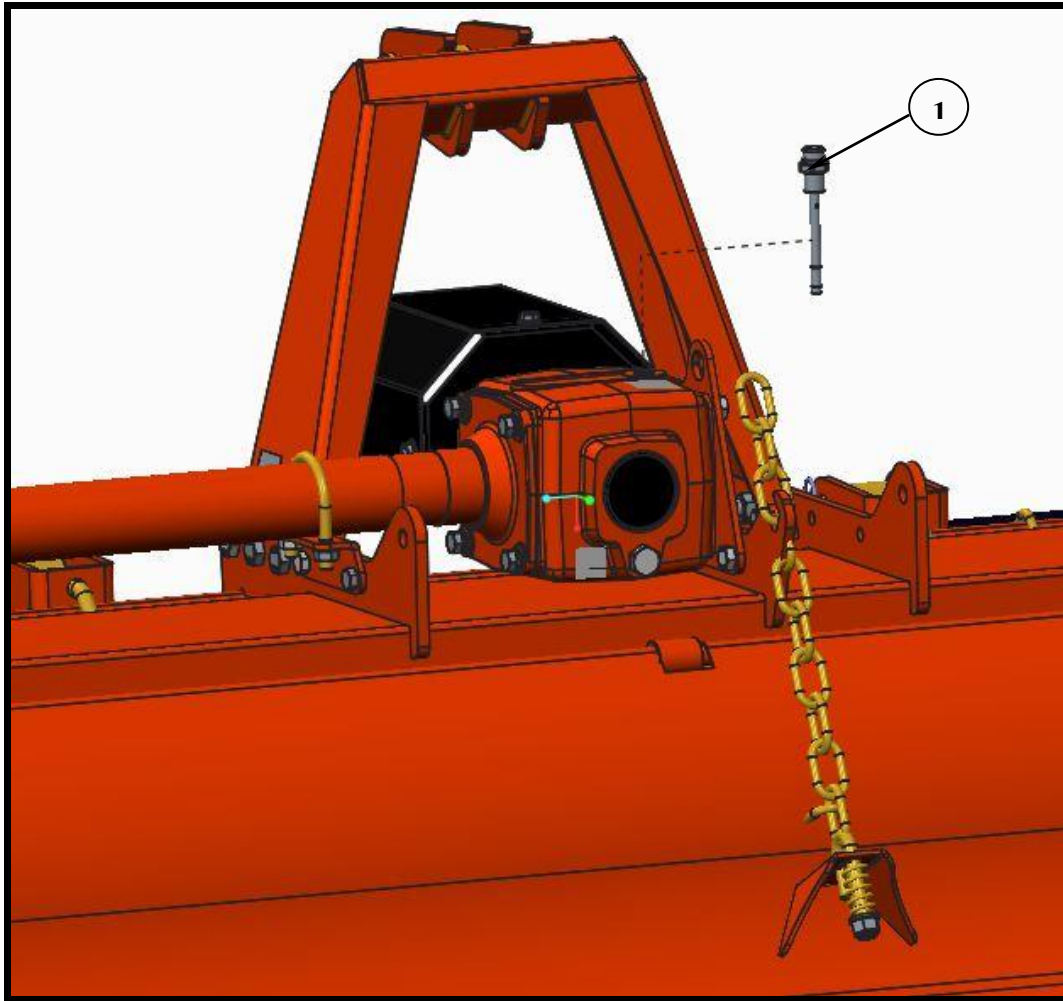
Sr. No	P/Number	Description
1	14003	T B COMP 1.5M (U-SERIES)
2	14050	TRAILING BOARD ROD 1.5M (U-SERIES)
3	19018	COTTER PIN (DIA 4 X 35)
4	14073	LIFTING CHAIN TB
5	14004	J-BOLT M12 x 1.75 x 24 x 87.5 x 25TL
6	14005	U-BOLT SPRING (U-SERIES)
7	8126	PLAIN WASHER 12mm
8	1209	NYLOCK NUT M12 X 1.75

➤ PTO Shaft Guard Assembly :



Sr. No	P/Number	Description
1	14172	PTO SHAFT GUARD ASSEMBLY (SMALL)
2	8140	HEX BOLT M8 X 1.25 X 20
3	8064	PLAIN WASHER 8mm

➤ **Dip Stick Replacement :**



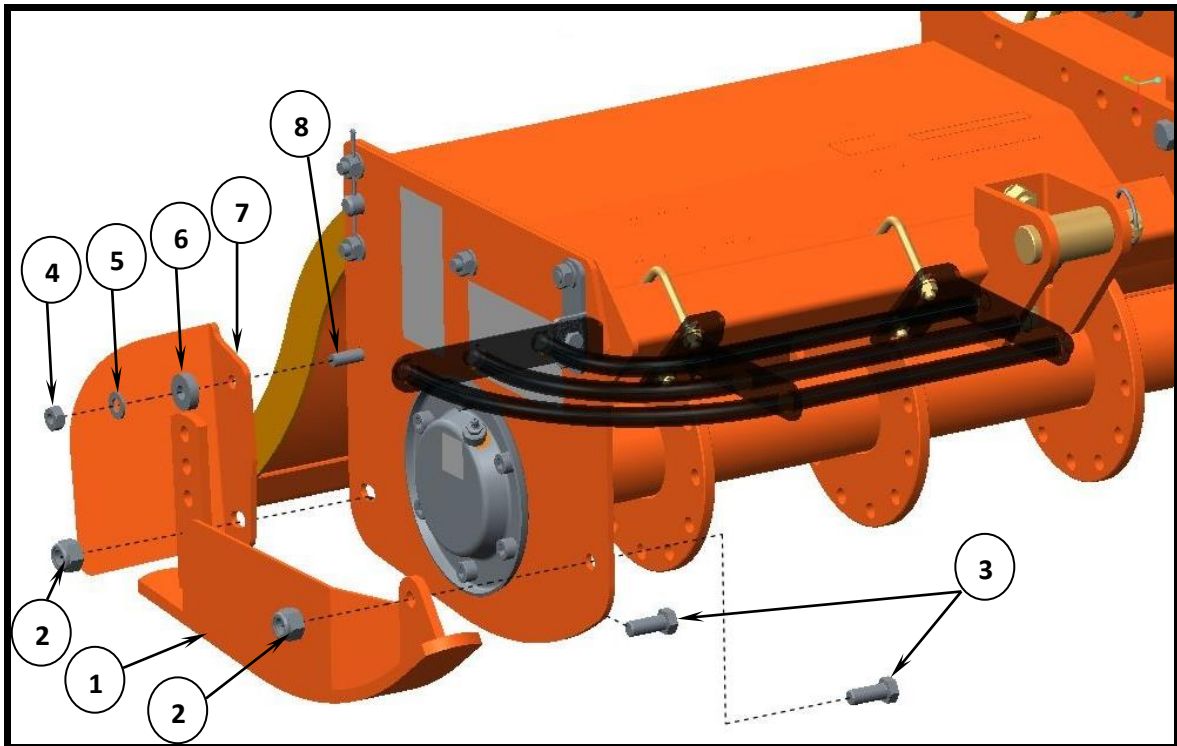
Sr. No	P/Number	Description
1	14074	DIPSTICK 77mm (M16 x 1.5)

➤ Air Breather Replacement :



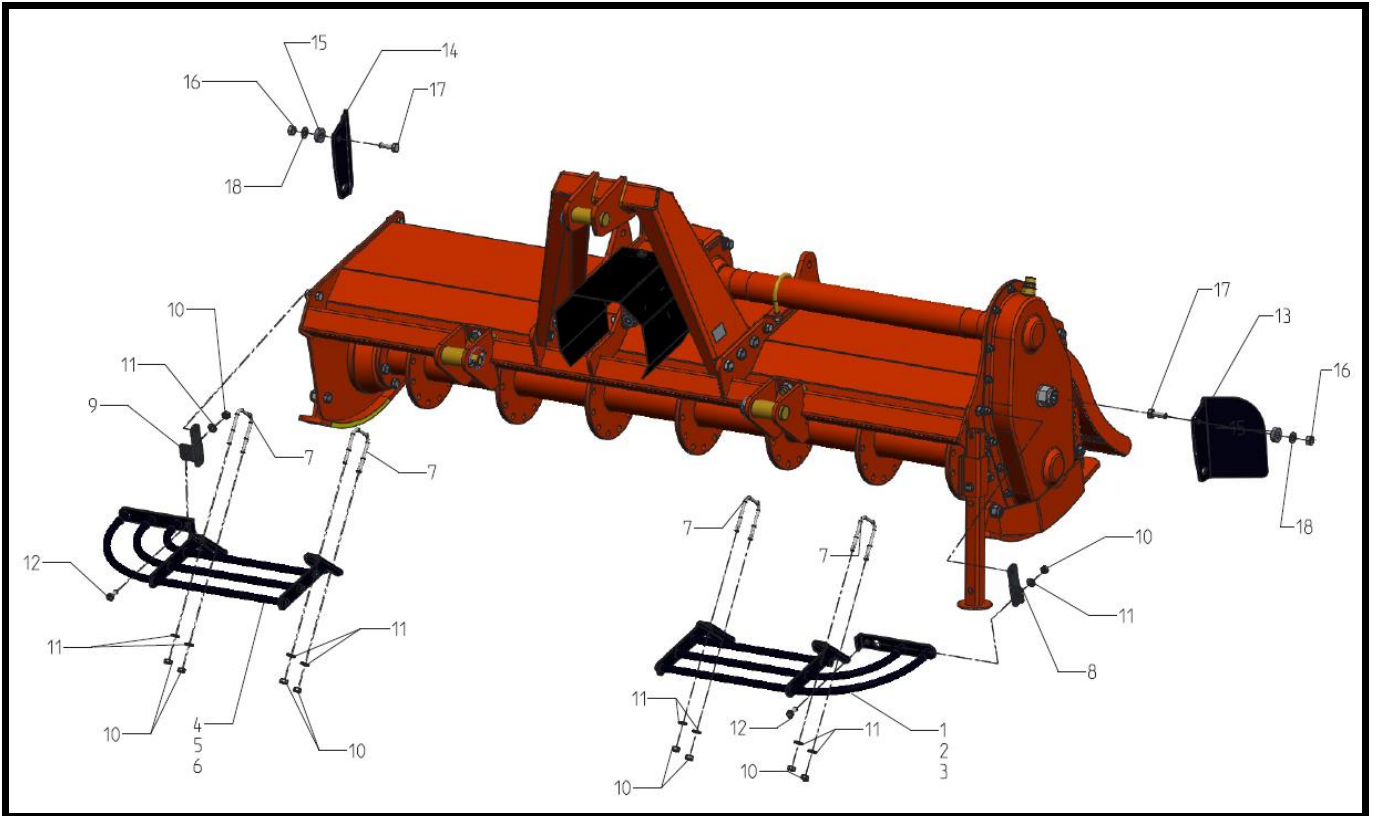
Sr. No	P/Number	Description
1	8231	AIR BREATHER 1/2" BSP

➤ **Depth Skid Assembly :**



Sr. No	P/Number	Description
1	14010	DEPTH SKID COMP RH (U-SERIES)
2	1209	NYLOCK NUT M12 X 1.75
3	10192	HEX BOLT M12 X 1.75 X 30
4	1299	HEX NUT M10 X 1.50
5	8078	PLAIN WASHER 10mm
6	14194	SPACER DIA-28 x 11 x 8 MM
7	14183	TB GAURD PLATE LH (U-SERIES)
8	10181	HEX BOLT M10 X 1.50 X 30

➤ **CE KIT Assembly :**



➤ **UL0.9 (UL36)**

Sr. No	P/Number	Description
1	14192	CE BARRIER COMP. UL-0.9 RH (U-SERIES)
4	14191	CE BARRIER COMP. UL-0.9 LH (U-SERIES)
7	14190	U-BOLT M8 X 1.25 X 77 X 60 X 28TL
8	14181	BARRIER ASM SUPPORT CLAMP RH (U-SERIES)
9	14180	BARRIER ASM SUPPORT CLAMP LH (U-SERIES)
10	8181	HEX NUT M8 X 1.25
11	8064	PLAIN WASHER 8mm
12	8040	HEX BOLT M8 X 1.25 X 20
13	14184	TB GAURD PLATE RH (U-SERIES)
14	14183	TB GAURD PLATE LH (U-SERIES)
15	14194	SPACER DIA-28 x 11 x 8 MM
16	1299	HEX NUT M10 X 1.50
17	6068	HEX BOLT M10 X 1.50 X 35
18	8078	PLAIN WASHER 10mm

➤ **UL1.2 (UL48)**

Sr. No	P/Number	Description
2	10262	CE BARRIER COMP. UL-1.2 RH (U-SERIES)
5	10261	CE BARRIER COMP. UL-1.2 LH (U-SERIES)
7	14190	U-BOLT M8 X 1.25 X 77 X 60 X 28TL
8	14181	BARRIER ASM SUPPORT CLAMP RH (U-SERIES)
9	14180	BARRIER ASM SUPPORT CLAMP LH (U-SERIES)
10	8181	HEX NUT M8 X 1.25
11	8064	PLAIN WASHER 8mm
12	8040	HEX BOLT M8 X 1.25 X 20
13	14184	TB GAURD PLATE RH (U-SERIES)
14	14183	TB GAURD PLATE LH (U-SERIES)
15	14194	SPACER DIA-28 x 11 x 8 MM
16	1299	HEX NUT M10 X 1.50
17	6068	HEX BOLT M10 X 1.50 X 35
18	8078	PLAIN WASHER 10mm

➤ **UL1.5 (UL60)**

Sr. No	P/Number	Description
3	14209	CE BARRIER COMP. UL-1.5 RH (U-SERIES)
6	14208	CE BARRIER COMP. UL-1.5 LH (U-SERIES)
7	14190	U-BOLT M8 X 1.25 X 77 X 60 X 28TL
8	14181	BARRIER ASM SUPPORT CLAMP RH (U-SERIES)
9	14180	BARRIER ASM SUPPORT CLAMP LH (U-SERIES)
10	8181	HEX NUT M8 X 1.25
11	8064	PLAIN WASHER 8mm
12	8040	HEX BOLT M8 X 1.25 X 20
13	14184	TB GAURD PLATE RH (U-SERIES)
14	14183	TB GAURD PLATE LH (U-SERIES)
15	14194	SPACER DIA-28 x 11 x 8 MM
16	1299	HEX NUT M10 X 1.50
17	6068	HEX BOLT M10 X 1.50 X 35
18	8078	PLAIN WASHER 10mm



Tirth Agro Technology Pvt. Ltd.
(An ISO 9001:2008 & CE Certified Company)

National Highway – 27, Nr. Bharudi Toll Plaza,
Gondal Road **At.:** Bhunava – 360311 **Ta.** Gondal,
Dist.: Rajkot. **State:** Gujarat- INDIA.

Phone: + 91 (2827) 661637

e-mail: info@shaktimanagro.com